



# Chien Chie Rubber Technology Co.,Ltd.

**Boots.**

**O-rings.**

**Packing.**

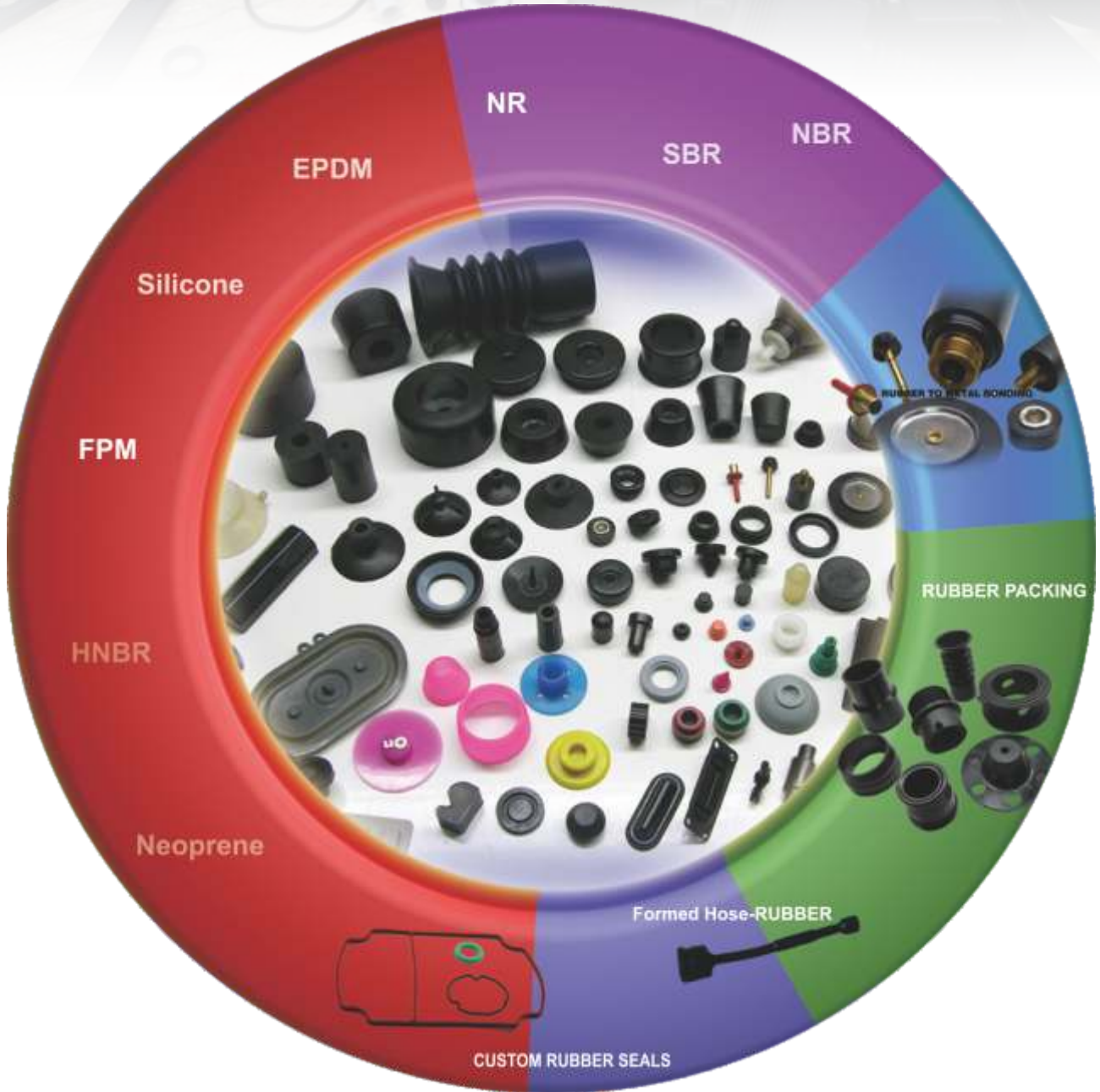
**Bushings.**

**Rubber seal.**

**Vacuum cups.**

**Rubber Gaskets.**

**Custom rubber seals**



No.27, Ln. 85, Sec. 1, Jiatou Rd., Longjing Dist.,  
Taichung City 434, Taiwan  
Tel:886-4-26366059 Fax:886-4-26366038  
E-mail:tccr@chien-chie.com.tw  
[www.chien-chie.com](http://www.chien-chie.com)

# Company Profile



## ESTABLISHED IN 1984

Chien Chie specializes in creating custom rubber products and elastomeric solutions that other manufacturers may not be able to make. O-rings, o-ring gaskets, rubber gasket seal, bushings, grommets, vacuum cups, packings, rubber seals, o ring seal and customer design seals etc.

## LEADING OEM RUBBER PRODUCTS MANUFACTURER

Established in 1984, Chien Chie Rubber Technology Co., Ltd. is a veteran company specialized in designing, developing and manufacturing high-quality rubber products for industrial applications, including automotive parts, bathroom accessories, gardening parts, sporting equipment, electrical components, customized production, and others. Chien Chie industrial rubber products Pushing Innovation in Pneumatic & Metric Sealing for Over 40Years. A leading OEM rubber products manufacturers for industrial markets, specializing in electronics, automotive, and water & food applications. Chien Chie Rubber, rubber supplier, manufactures your rubber product to order from your chosen material.



## CHIEN CHIE RUBBER

Chien Chie rubber technology co.,ltd is a,Taichung city in Taiwan, o-ring manufacturer and custom molded rubber parts. We do EP,NBR,FKM, SILICONE,HNBR,NR, SBR,ACM,IIR,AEM and PU o rings. Rubber seals are specially-shaped rubber tools that are used to contain the contents of a container or enclosure or to prevent the contamination of that enclosure. Rubber seal manufacturers,Chien Chie Rubber !

## ISO 9001:2015 CERTIFIED COMPNAY

Chien Chie rubber is an ISO 9001:2015 certified compnay. We offer different kinds of seals to meet out customer specific parts requirements. we are not only manufacturer but also designer and distributor.



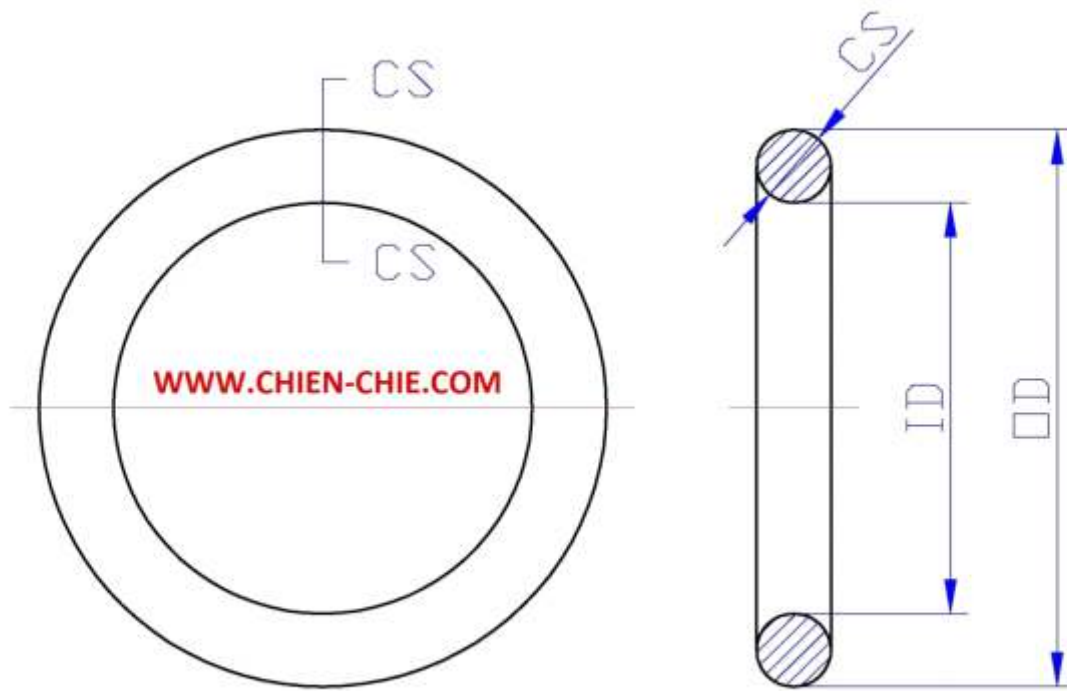
# Material Properties

<http://www.chien-chie.com>

Common name (ASTM)	NATURAL RUBBER (NR)	ISOPRENE RUBBER (IR)	STYRENE BUTADIENE RUBBER (SBR)	BUTADIENE RUBBER (BR)	POLYCHLOROPRENE (Neoprene) (CR)	BUTYL RUBBER (IIR)	NITRILE RUBBER (NBR)	ETHYLENE PROPYLENE RUBBER (EPDM)	CHLOROSULPHONATED POLYETHYLENE (CSM)	ACRYLIC RUBBER (ACM)	SILICONE RUBBER (VMQ)	FLUORO-ELASTOMERS (FKM/FPM)
Tensile Strength (Kg/cm <sup>2</sup> )	30~300	150~200	50~200	20~200	50~250	50~150	50~250	50~200	70~200	70~120	40~100	70~200
Elongation(%)	1000~100	1000~100	8800~100	800~100	1000~100	800~100	800~100	800~100	500~100	600~100	500~50	500~100
Resiliency	⊙	⊙	○	⊙	⊙	△	○	○	○	△	⊙	△
Tear Resistance	⊙	○	△	○	○	○	○	△	○	△	X ~ △	○
Abrasion Resistance	⊙	⊙	⊙	⊙	○ ~ ⊙	○	⊙	○	⊙	○	X ~ △	⊙
Cracking Resistance	⊙	⊙	○	△	○	⊙	○	○	○	○	X ~ △	○
Maximum~												
Minimum Service Temperature (C)	-70~120	-70~120	-60~120	-70~120	-55~130	-55~150	-20~130	-60~150	-60~150	-30~180	-120~280	-50~300
Aging Resistance	○	○	○	○	⊙	⊙	⊙	⊙	⊙	⊙	⊙	⊙
Light Resistance	○	○	○	○	○	⊙	○	⊙	⊙	⊙	⊙	⊙
Ozone Resistance	X	X	X	X	⊙	⊙	X	⊙	⊙	⊙	⊙	⊙
Flame Resistance	X	X	X	X	○	X	△	X	X	X ~ △	X ~ △	⊙
Insulation (Ωcm)	<sup>10 15</sup> 10~10	<sup>10 15</sup> 10~10	<sup>10 15</sup> 10~10	<sup>14 15</sup> 10~10	<sup>10 15</sup> 10~10	<sup>16 18</sup> 10~10	<sup>2 8</sup> 10~10	<sup>10 15</sup> 10~10	<sup>14</sup> 10	<sup>2 8</sup> 10~10	<sup>11 15</sup> 10~10	<sup>15 18</sup> 10~10
Air Impermeability	○	○	△	○	○	⊙	○	○	⊙	○	△ ~ ○	△
Radiation Resistance	△ ~ ○	△ ~ ○	○	X	△ ~ ○	X	△ ~ ○	X	△ ~ ○	X ~ ○	△ ~ ⊙	△ ~ ○
Solvent Resistance	NR	IR	SBR	BR	CR	IIR	NBR	EPDM	CSM	ACM	VMQ	FKM
Gasoline, Naphtha	X	X	X	X	○	X	⊙	X	○	⊙	X ~ △	⊙
Benzene, Toluene	X	X	X	X	X	△ ~ ○	X ~ ○	△	X ~ ○	X	X ~ △	⊙
Aliphatic Hydrocarbons	⊙	X	X	X	X	X	X	X	X ~ △	X	X ~ ○	○
Alcohol	X	⊙	⊙	⊙	⊙	⊙	⊙	⊙	⊙	X	⊙	⊙
Ester	△ ~ ○	X	X	X	X ~ △	△ ~ ○	X ~ △	○	X	X	X ~ △	X ~ △
Ketones	X ~ △	△ ~ ○	△ ~ ○	△ ~ ○	△ ~ ○	⊙	X	⊙	△ ~ ○	X	○	X
Ethyl Acetate	⊙	X ~ △	X ~ △	X ~ ○	X	⊙	X ~ △	⊙	X	X	△	X
Acid / Alkali Resistance	NR	IR	SBR	BR	CR	IIR	NBR	EPDM	CSM	ACM	VMQ	FKM
Water	X	⊙	⊙	⊙	⊙	⊙	⊙	⊙	⊙	△	○	⊙
Organic Acid	X	X	X	X	X ~ △	△ ~ ○	X ~ △	X	△	X	○	X
High Consistency Inorganic Acid	○	X	X	X	○	⊙	△	○	⊙	△	△	⊙
Low Consistency Organic Acid	○	○	○	○	⊙	⊙	○	⊙	⊙	○	○	⊙
High Consistency Alkali	○	○	○	○	⊙	⊙	○	⊙	⊙	△	⊙	X
Low Consistency Alkali	○	○	○	○	⊙	⊙	○	⊙	⊙	○	⊙	△

⊙ Excellent   ○ Good   △ Fair   X Poor

# O-ring



ORING 0 型環



# O-Ring Size / JIS B2401-P

Article No.	O-Ring Size / JIS B2401-P (All dimensions are in mm)				Nominal Size (reference only) (All dimensions are in inches)			
	ID (DIN3771)	±	C/S (mm) (DIN3771)	±	ID (DIN3771)	±	C/S (inch) (DIN3771)	±
P 3	2.8	0.14	1.9	0.09	0.110	0.006	0.075	0.004
P 4	3.8	0.14	1.9		0.150	0.006	0.075	
P 5	4.8	0.14	1.9		0.189	0.006	0.075	
P 6	5.8	0.15	1.9		0.228	0.006	0.075	
P 7	6.8	0.16	1.9		0.268	0.006	0.075	
P 8	7.8	0.16	1.9		0.307	0.006	0.075	
P 9	8.8	0.17	1.9		0.346	0.007	0.075	
P 10	9.8	0.17	1.9		0.386	0.007	0.075	
P 10A	9.8	0.17	2.4		0.386	0.007	0.094	
P 11	10.8	0.18	2.4		0.425	0.007	0.094	
P 11.2	11.0	0.18	2.4		0.433	0.007	0.094	
P 12	11.8	0.19	2.4		0.465	0.007	0.094	
P 12.5	12.3	0.19	2.4		0.484	0.007	0.094	
P 14	13.8	0.19	2.4		0.543	0.007	0.094	
P 15	14.8	0.20	2.4		0.583	0.008	0.094	
P 16	15.8	0.20	2.4		0.622	0.008	0.094	
P 18	17.8	0.21	2.4		0.701	0.008	0.094	
P 20	19.8	0.22	2.4		0.780	0.009	0.094	
P 21	20.8	0.23	2.4		0.819	0.009	0.094	
P 22	21.8	0.24	2.4		0.858	0.009	0.094	
P 22A	21.7	0.24	3.5		0.854	0.009	0.138	
P 22.4	22.1	0.24	3.5		0.870	0.009	0.138	
P 24	23.7	0.25	3.5		0.933	0.010	0.138	
P 25	24.7	0.25	3.5		0.972	0.010	0.138	
P 25.5	25.2	0.26	3.5		0.992	0.010	0.138	
P 26	25.7	0.26	3.5		1.012	0.010	0.138	
P 28	27.7	0.28	3.5		1.091	0.011	0.138	
P 29	28.7	0.29	3.5		1.130	0.011	0.138	
P 29.5	29.2	0.29	3.5		1.150	0.011	0.138	
P 30	29.7	0.29	3.5		1.169	0.011	0.138	
P 31	30.7	0.31	3.5		1.209	0.012	0.138	
P 31.5	31.2	0.31	3.5		1.228	0.012	0.138	
P 32	31.7	0.32	3.5		1.248	0.013	0.138	
P 34	33.7	0.33	3.5		1.327	0.013	0.138	
P 35	34.7	0.34	3.5		1.366	0.013	0.138	
P 35.5	35.2	0.34	3.5		1.386	0.013	0.138	
P 36	35.7	0.35	3.5		1.406	0.014	0.138	
P 38	37.7	0.37	3.5		1.484	0.015	0.138	
P 39	38.7	0.37	3.5		1.524	0.015	0.138	
P 40	39.7	0.38	3.5		1.563	0.015	0.138	
P 41	40.7	0.39	3.5		1.602	0.015	0.138	
P 42	41.7	0.40	3.5		1.642	0.016	0.138	
P 44	43.7	0.41	3.5		1.720	0.016	0.138	
P 45	44.7	0.42	3.5		1.760	0.017	0.138	
P 46	45.7	0.43	3.5		1.799	0.017	0.138	
P 48	47.7	0.45	3.5		1.878	0.018	0.138	
P 49	48.7	0.45	3.5		1.917	0.018	0.138	
P 50	49.7	0.46	3.5		1.957	0.018	0.138	

# O-Ring Size / JIS B2401-P

Article No.	O-Ring Size / JIS B2401-P (All dimensions are in mm)				Nominal Size( reference only) (All dimensions are in inches)			
	ID (DIN3771)	±	C/S (mm) (DIN3771)	±	ID (DIN3771)	±	C/S (inch) (DIN3771)	±
P 48A	47.6	0.45	5.7	0.13	1.874	0.018	0.224	0.005
P 50A	49.6	0.46	5.7		1.953	0.018	0.224	
P 52	51.6	0.48	5.7		2.031	0.019	0.224	
P 53	52.6	0.48	5.7		2.071	0.019	0.224	
P 55	54.6	0.51	5.7		2.150	0.020	0.224	
P 56	55.6	0.51	5.7		2.189	0.020	0.224	
P 58	57.6	0.52	5.7		2.268	0.020	0.224	
P 60	59.6	0.54	5.7		2.346	0.021	0.224	
P 62	61.6	0.56	5.7		2.425	0.022	0.224	
P 63	62.6	0.56	5.7		2.465	0.022	0.224	
P 65	64.6	0.58	5.7		2.543	0.023	0.224	
P 67	66.6	0.59	5.7		2.622	0.023	0.224	
P 70	69.6	0.63	5.7		2.740	0.025	0.224	
P 71	70.6	0.63	5.7		2.780	0.025	0.224	
P 75	74.6	0.66	5.7		2.937	0.026	0.224	
P 80	96.6	0.83	5.7		3.803	0.033	0.224	
P 85	84.6	0.73	5.7		3.331	0.029	0.224	
P 90	89.6	0.77	5.7		3.528	0.030	0.224	
P 95	94.6	0.81	5.7		3.724	0.032	0.224	
P 100	99.6	0.84	5.7		3.921	0.033	0.224	
P 102	101.6	0.87	5.7		4.000	0.034	0.224	
P 105	104.6	0.89	5.7		4.118	0.035	0.224	
P 110	109.6	0.93	5.7		4.315	0.037	0.224	
P 112	111.6	0.93	5.7		4.394	0.037	0.224	
P 115	114.6	0.95	5.7		4.512	0.037	0.224	
P 120	119.6	1.00	5.7		4.709	0.039	0.224	
P 125	124.6	1.03	5.7		4.906	0.041	0.224	
P 130	129.6	1.08	5.7		5.102	0.043	0.224	
P 132	131.6	1.08	5.7		5.181	0.043	0.224	
P 135	134.6	1.10	5.7		5.299	0.043	0.224	
P 140	139.6	1.13	5.7		5.496	0.044	0.224	
P 145	144.6	1.17	5.7		5.693	0.046	0.224	
P 150	149.6	1.20	5.7		5.890	0.047	0.224	
P 150A	149.5	1.20	8.4	5.886	0.047	0.331	0.006	
P 155	154.5	1.24	8.4	6.083	0.049	0.331		
P 160	159.5	1.27	8.4	6.280	0.050	0.331		
P 165	164.5	1.31	8.4	6.476	0.052	0.331		
P 170	169.5	1.34	8.4	6.673	0.053	0.331		
P 175	174.5	1.38	8.4	6.870	0.054	0.331		
P 180	179.5	1.41	8.4	7.067	0.056	0.331		
P 185	184.5	1.44	8.4	7.264	0.057	0.331		
P 190	189.5	1.48	8.4	7.461	0.058	0.331		
P 195	194.5	1.51	8.4	7.657	0.059	0.331		
P 200	199.5	1.55	8.4	7.854	0.061	0.331		
P 205	204.5	1.59	8.4	8.051	0.063	0.331		
P 209	208.5	1.63	8.4	8.209	0.064	0.331		
P 210	209.5	1.63	8.4	8.248	0.064	0.331		
P 215	214.5	1.67	8.4	8.445	0.066	0.331		

# O-Ring Size / JIS B2401-P

Article No.	O-Ring Size / JIS B2401-P (All dimensions are in mm)				Nominal Size(reference only) (All dimensions are in inches)			
	ID (DIN3771)	±	C/S (mm) (DIN3771)	±	ID (DIN3771)	±	C/S (inch) (DIN3771)	±
P 220	219.5	1.71	8.4	0.15	8.642	0.067	0.331	0.006
P 225	224.5	1.75	8.4		8.839	0.069	0.331	
P 230	229.5	1.75	8.4		9.035	0.069	0.331	
P 235	234.5	1.79	8.4		9.232	0.070	0.331	
P 240	239.5	1.83	8.4		9.429	0.072	0.331	
P 245	244.5	1.88	8.4		9.626	0.074	0.331	
P 250	249.5	1.88	8.4		9.823	0.074	0.331	
P 255	254.5	1.93	8.4		10.020	0.076	0.331	
P 260	259.5	1.98	8.4		10.217	0.078	0.331	
P 265	264.5	1.98	8.4		10.413	0.078	0.331	
P 270	269.5	2.02	8.4		10.610	0.080	0.331	
P 275	274.5	2.08	8.4		10.807	0.082	0.331	
P 280	279.5	2.08	8.4		11.004	0.082	0.331	
P 285	284.5	2.14	8.4		11.201	0.084	0.331	
P 290	289.5	2.14	8.4		11.398	0.084	0.331	
P 295	294.5	2.21	8.4		11.594	0.087	0.331	
P 300	299.5	2.21	8.4		11.791	0.087	0.331	
P 315	314.5	2.30	8.4		12.382	0.091	0.331	
P 320	319.5	2.37	8.4		12.579	0.093	0.331	
P 335	334.5	2.43	8.4		13.169	0.096	0.331	
P 340	339.5	2.49	8.4		13.366	0.098	0.331	
P 355	354.5	2.56	8.4		13.957	0.101	0.331	
P 360	359.5	2.62	8.4		14.154	0.103	0.331	
P 375	374.5	2.68	8.4		14.744	0.106	0.331	
P 385	384.5	2.76	8.4		15.138	0.109	0.331	
P 400	399.5	2.84	8.4		15.728	0.112	0.331	
P 405	404.5	3.00	8.4		15.925	0.118	0.331	
P 410	409.5	3.00	8.4		16.122	0.118	0.331	
P 415	414.5	3.00	8.4		16.319	0.118	0.331	
P 420	419.5	3.00	8.4		16.516	0.118	0.331	
P 425	424.5	3.00	8.4		16.909	0.118	0.331	
P 430	429.5	3.00	8.4		17.106	0.118	0.331	
P 435	434.5	3.00	8.4		17.303	0.118	0.331	
P 440	439.5	3.00	8.4		17.500	0.118	0.331	
P 445	444.5	3.00	8.4		17.697	0.130	0.331	
P 450	449.5	3.30	8.4		17.894	0.130	0.331	
P 455	454.5	3.30	8.4		18.091	0.130	0.331	
P 460	459.5	3.30	8.4		18.287	0.130	0.331	
P 465	464.5	3.30	8.4		18.484	0.130	0.331	
P 470	469.5	3.30	8.4		18.681	0.130	0.331	
P 475	474.5	3.30	8.4	18.878	0.130	0.331		
P 480	479.5	3.30	8.4	19.075	0.130	0.331		
P 485	484.5	3.30	8.4	19.272	0.130	0.331		
P 490	489.5	3.30	8.4	19.469	0.130	0.331		
P 495	494.5	3.30	8.4	19.665	0.130	0.331		
P 500	499.5	3.30	8.4	23.209	0.156	0.331		
P 590	589.5	3.97	8.4	23.602	0.159	0.331		
P 600	599.5	4.03	8.4	23.996	0.161	0.331		
P 610	609.5	4.09	8.4	24.390	0.163	0.331		
P 620	619.5	4.15	8.4	24.587	0.165	0.331		
P 625	624.5	4.18	8.4	24.980	0.167	0.331		

# O-Ring Size / JIS B2401-P

Article No.	O-Ring Size / JIS B2401-P (All dimensions are in mm)				Nominal Size(reference only) (All dimensions are in inches)			
	ID (DIN3771)	±	C/S (mm) (DIN3771)	±	ID (DIN3771)	±	C/S (inch) (DIN3771)	±
P 635	634.5	4.25	8.4	0.15	24.980	0.167	0.331	0.006
P 650	649.5	4.34	8.4		25.571	0.171	0.331	
P 680	679.5	4.52	8.4		26.752	0.178	0.331	
P 690	689.5	4.59	8.4		27.146	0.181	0.331	
P 700	699.5	4.65	8.4		27.539	0.183	0.331	
P 710	709.5	4.71	8.4		27.933	0.185	0.331	
P 720	719.5	4.77	8.4		28.327	0.188	0.331	
P 730	729.5	4.83	8.4		28.720	0.190	0.331	
P 740	739.5	4.89	8.4		29.114	0.193	0.331	
P 750	749.5	4.95	8.4		29.508	0.195	0.331	
P 760	759.5	5.02	8.4		29.902	0.198	0.331	
P 770	769.5	5.08	8.4		30.295	0.200	0.331	
P 780	779.5	5.14	8.4		30.689	0.202	0.331	
P 790	789.5	5.20	8.4		31.083	0.205	0.331	
P 800	799.5	5.26	8.4		31.476	0.207	0.331	
P 810	809.5	5.32	8.4		31.870	0.209	0.331	
P 820	819.5	5.38	8.4		32.264	0.212	0.331	
P 830	829.5	5.44	8.4		32.657	0.214	0.331	
P 840	839.5	5.51	8.4		33.051	0.217	0.331	
P 850	849.5	5.57	8.4		33.445	0.219	0.331	
P 860	859.5	5.63	8.4		33.839	0.222	0.331	
P 870	869.5	5.69	8.4		34.232	0.224	0.331	
P 880	879.5	5.75	8.4		34.626	0.226	0.331	
P 890	889.5	5.81	8.4		35.020	0.229	0.331	
P 900	899.5	5.87	8.4		35.413	0.231	0.331	
P 910	909.5	5.93	8.4		35.807	0.233	0.331	
P 915	914.5	5.96	8.4		36.004	0.235	0.331	
P 920	919.5	5.99	8.4		36.201	0.236	0.331	
P 930	929.5	6.05	8.4		36.594	0.238	0.331	
P 940	939.5	6.11	8.4		36.988	0.241	0.331	
P 950	949.5	6.18	8.4	37.382	0.243	0.331		
P 960	959.5	6.24	8.4	37.776	0.246	0.331		
P 970	969.5	6.30	8.4	38.169	0.248	0.331		
P 980	979.5	6.36	8.4	38.563	0.250	0.331		
P 990	989.5	6.42	8.4	38.957	0.253	0.331		
P 1000	999.5	6.48	8.4	39.350	0.253	0.331		





# O-Ring Size / JIS B2401-G

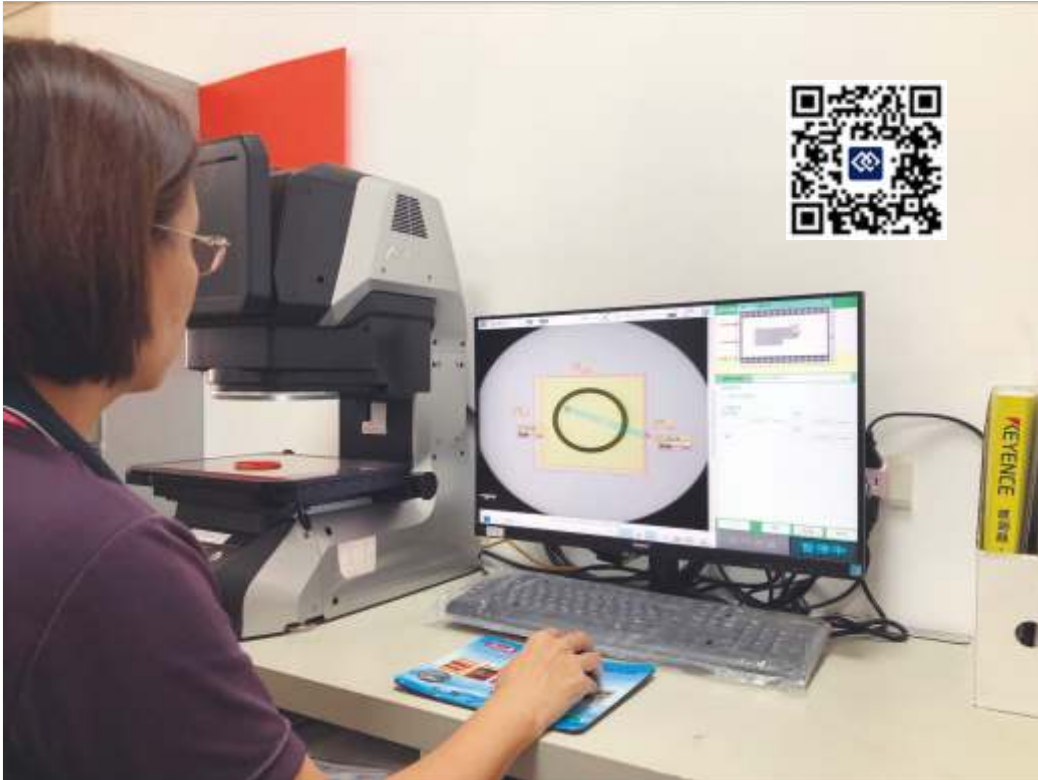
Article No.	O-Ring Size / JIS B2401-G (All dimensions are in mm)				Nominal Size (reference only) (All dimensions are in inches)			
	ID (DIN3771)	±	C/S (mm) (DIN3771)	±	ID (DIN3771)	±	C/S (inch) (DIN3771)	±
G 25	24.4	0.25	3.1	0.1	0.961	0.010	0.122	0.004
G 30	29.4	0.29	3.1		1.157	0.011	0.122	
G 35	34.4	0.33	3.1		1.354	0.013	0.122	
G 40	39.4	0.38	3.1		1.551	0.015	0.122	
G 45	44.4	0.42	3.1		1.748	0.017	0.122	
G 50	49.4	0.46	3.1		1.945	0.018	0.122	
G 55	54.4	0.50	3.1		2.142	0.020	0.122	
G 60	59.4	0.54	3.1		2.339	0.021	0.122	
G 65	64.4	0.58	3.1		2.535	0.023	0.122	
G 70	69.4	0.63	3.1		2.732	0.025	0.122	
G 75	74.4	0.66	3.1		2.929	0.026	0.122	
G 80	79.4	0.69	3.1		3.126	0.027	0.122	
G 85	84.4	0.73	3.1		3.323	0.029	0.122	
G 90	89.4	0.77	3.1		3.520	0.030	0.122	
G 95	94.4	0.81	3.1		3.717	0.032	0.122	
G 100	99.4	0.84	3.1		3.913	0.033	0.122	
G 105	104.4	0.89	3.1		4.110	0.035	0.122	
G 110	109.4	0.93	3.1		4.307	0.037	0.122	
G 115	114.4	0.95	3.1		4.504	0.037	0.122	
G 120	119.4	1.00	3.1		4.701	0.039	0.122	
G 125	124.4	1.03	3.1	4.898	0.041	0.122		
G 130	129.4	1.08	3.1	5.094	0.043	0.122		
G 135	134.4	1.10	3.1	5.291	0.043	0.122		
G 140	139.4	1.13	3.1	5.488	0.044	0.122		
G 145	144.4	1.17	3.1	5.685	0.046	0.122		
G 150	149.3	1.20	5.7	5.878	0.047	0.224	0.005	
G 155	154.3	1.24	5.7	6.075	0.049	0.224		
G 160	159.3	1.27	5.7	6.272	0.050	0.224		
G 165	164.3	1.31	5.7	6.469	0.052	0.224		
G 170	169.3	1.34	5.7	6.665	0.053	0.224		
G 175	174.3	1.38	5.7	6.862	0.054	0.224		
G 180	179.3	1.41	5.7	7.059	0.056	0.224		
G 185	184.3	1.44	5.7	7.256	0.057	0.224		
G 190	189.3	1.48	5.7	7.453	0.058	0.224		
G 195	194.3	1.51	5.7	7.650	0.059	0.224		
G 200	199.3	1.55	5.7	7.846	0.061	0.224		
G 210	209.3	1.63	5.7	8.240	0.064	0.224		
G 220	219.3	1.71	5.7	8.634	0.067	0.224		
G 230	229.3	1.75	5.7	9.028	0.069	0.224		
G 240	239.3	1.83	5.7	9.421	0.072	0.224		
G 250	249.3	1.88	5.7	9.815	0.074	0.224		
G 260	259.3	1.98	5.7	10.209	0.078	0.224		
G 270	269.3	2.02	5.7	10.602	0.080	0.224		
G 280	279.3	2.08	5.7	10.996	0.082	0.224		
G 290	289.3	2.14	5.7	11.390	0.084	0.224		
G 300	299.3	2.21	5.7	11.783	0.087	0.224		
G 305	304.3	2.24	5.7	11.980	0.088	0.224		
G 310	309.3	2.27	5.7	12.177	0.089	0.224		
G 315	314.3	2.30	5.7	12.374	0.091	0.224		
G 320	319.3	2.33	5.7	12.571	0.092	0.224		
G 325	324.3	2.36	5.7	12.768	0.093	0.224		

# O-Ring Size / JIS B2401-G

Article No.	O-Ring Size / JIS B2401-G (All dimensions are in mm)				Nominal Size (reference only) (All dimensions are in inches)			
	ID (DIN3771)	±	C/S (mm) (DIN3771)	±	ID (DIN3771)	±	C/S (inch) (DIN3771)	±
G 330	329.3	2.39	5.7	0.15	12.965	0.094	0.224	0.005
G 335	334.3	2.42	5.7		13.161	0.095	0.224	
G 340	339.3	2.45	5.7		13.358	0.096	0.224	
G 345	344.3	2.48	5.7		13.555	0.098	0.224	
G 350	349.3	2.51	5.7		13.752	0.099	0.224	
G 355	354.3	2.54	5.7		13.949	0.100	0.224	
G 360	359.3	2.57	5.7		14.146	0.101	0.224	
G 365	364.3	2.60	5.7		14.343	0.102	0.224	
G 370	369.3	2.63	5.7		14.539	0.104	0.224	
G 375	374.3	2.67	5.7		14.736	0.105	0.224	
G 380	379.3	2.70	5.7		14.933	0.106	0.224	
G 385	384.3	2.73	5.7		15.130	0.107	0.224	
G 390	389.3	2.77	5.7		15.327	0.109	0.224	
G 395	394.3	2.79	5.7		15.524	0.110	0.224	
G 400	399.3	2.82	5.7		15.720	0.111	0.224	
G 405	404.3	3.00	5.7		15.917	0.118	0.224	
G 410	409.3	3.00	5.7		16.114	0.118	0.224	
G 415	414.3	3.00	5.7		16.311	0.118	0.224	
G 420	419.3	3.00	5.7		16.508	0.118	0.224	
G 425	424.3	3.00	5.7		16.705	0.118	0.224	
G 430	429.3	3.00	5.7		16.902	0.118	0.224	
G 435	434.3	3.00	5.7		17.098	0.118	0.224	
G 440	439.3	3.00	5.7		17.295	0.118	0.224	
G 445	444.3	3.00	5.7		17.492	0.118	0.224	
G 450	449.3	3.30	5.7		17.689	0.118	0.224	
G 455	454.3	3.30	5.7		17.886	0.130	0.224	
G 460	459.3	3.30	5.7		18.083	0.130	0.224	
G 465	464.3	3.30	5.7		18.280	0.130	0.224	
G 470	469.3	3.30	5.7		18.476	0.130	0.224	
G 475	474.3	3.30	5.7		18.673	0.130	0.224	
G 480	479.3	3.30	5.7		18.870	0.130	0.224	
G 485	484.3	3.30	5.7		19.067	0.130	0.224	
G 490	489.3	3.30	5.7		19.264	0.130	0.224	
G 495	494.3	3.30	5.7		19.461	0.130	0.224	
G 500	499.3	3.30	5.7		19.657	0.130	0.224	
G 510	509.3	3.47	5.7		20.051	0.137	0.224	
G 520	519.3	3.53	5.7		20.445	0.139	0.224	
G 525	524.3	3.56	5.7		20.642	0.140	0.224	
G 530	529.3	3.59	5.7		20.839	0.141	0.224	
G 540	539.3	3.65	5.7		21.232	0.144	0.224	
G 550	549.3	3.72	5.7		21.626	0.146	0.224	
G 555	554.3	3.75	5.7		21.823	0.148	0.224	
G 560	559.3	3.78	5.7	22.020	0.149	0.224		
G 570	569.3	3.84	5.7	22.413	0.151	0.224		
G 580	579.3	3.90	5.7	22.807	0.154	0.224		
G 585	584.3	3.93	5.7	23.004	0.155	0.224		
G 590	589.3	3.97	5.7	23.201	0.156	0.224		
G 600	599.3	4.03	5.7	23.594	0.159	0.224		
G 605	604.3	4.06	5.7	23.791	0.160	0.224		
G 615	614.3	4.12	5.7	24.185	0.162	0.224		
G 620	619.3	4.15	5.7	24.382	0.163	0.224		

# O-Ring Size / JIS B2401-G

Article No.	O-Ring Size / JIS B2401-G (All dimensions are in mm)				Nominal Size (reference only) (All dimensions are in inches)			
	ID (DIN3771)	±	C/S (mm) (DIN3771)	±	ID (DIN3771)	±	C/S (inch) (DIN3771)	±
G 630	629.3	4.21	5.7	0.15	24.776	0.166	0.224	0.005
G 860	859.3	5.63	5.7		33.831	0.222	0.224	
G 910	909.3	5.93	5.7		35.799	0.233	0.224	



## Quality Control



# O-Ring Size / JIS B2401-S

Article No.	O-Ring Size / JIS B2401-S (All dimensions are in mm)				Nominal Size (reference only) (All dimensions are in inches)			
	ID (DIN3771)	±	C/S (mm) (DIN3771)	±	ID (DIN3771)	±	C/S (inch) (DIN3771)	±
S 3	2.5	0.13	1.5	0.09	0.098	0.005	0.059	0.004
S 4	3.5	0.14	1.5		0.138	0.006	0.059	
S 5	4.5	0.15	1.5		0.177	0.006	0.059	
S 6	5.5	0.15	1.5		0.217	0.006	0.059	
S 6	6.5	0.16	1.5		0.256	0.006	0.059	
S 8	7.5	0.16	1.5		0.295	0.006	0.059	
S 9	8.5	0.16	1.5		0.335	0.006	0.059	
S 10	9.5	0.17	1.5		0.374	0.007	0.059	
S 11.2	10.7	0.18	1.5		0.421	0.007	0.059	
S 12	11.5	0.19	1.5		0.453	0.007	0.059	
S 12.5	12.0	0.19	1.5		0.472	0.007	0.059	
S 14	13.5	0.19	1.5		0.531	0.007	0.059	
S 16	15.5	0.20	1.5		0.610	0.008	0.059	
S 18	17.5	0.21	1.5		0.689	0.008	0.059	
S 20	19.5	0.22	1.5		0.768	0.009	0.059	
S 22	21.5	0.24	1.5		0.846	0.009	0.059	
S 22.4	21.5	0.24	2.0		0.846	0.009	0.079	
S 24	23.5	0.24	2.0		0.925	0.009	0.079	
S 25	24.5	0.25	2.0		0.965	0.010	0.079	
S 26	25.5	0.26	2.0		1.004	0.010	0.079	
S 28	27.5	0.28	2.0		1.083	0.011	0.079	
S 29	28.5	0.29	2.0		1.122	0.011	0.079	
S 30	29.5	0.29	2.0		1.161	0.011	0.079	
S 44	43.5	0.41	2.0		1.713	0.016	0.079	
S 45	44.5	0.42	2.0		1.752	0.017	0.079	
S 46	45.5	0.43	2.0		1.791	0.017	0.079	
S 48	47.5	0.44	2.0		1.870	0.017	0.079	
S 50	49.5	0.46	2.0		1.949	0.018	0.079	
S 53	52.5	0.48	2.0		2.067	0.019	0.079	
S 55	54.5	0.50	2.0		2.146	0.020	0.079	
S 56	55.5	0.51	2.0		2.185	0.020	0.079	
S 60	59.5	0.54	2.0		2.343	0.021	0.079	
S 63	62.5	0.56	2.0		2.461	0.022	0.079	
S 65	64.5	0.58	2.0		2.539	0.023	0.079	
S 67	66.5	0.59	2.0		2.618	0.023	0.079	
S 70	69.5	0.63	2.0		2.736	0.025	0.079	
S 71	70.5	0.63	2.0		2.776	0.025	0.079	
S 75	74.5	0.66	2.0		2.933	0.026	0.079	
S 80	79.5	0.69	2.0		3.130	0.027	0.079	
S 85	84.5	0.73	2.0		3.327	0.029	0.079	
S 90	89.5	0.77	2.0	3.524	0.030	0.079		
S 95	94.5	0.81	2.0	3.720	0.032	0.079		
S 100	99.5	0.84	2.0	3.917	0.033	0.079		
S 105	104.5	0.89	2.0	4.114	0.035	0.079		
S 110	109.5	0.93	2.0	4.311	0.037	0.079		
S 112	111.5	0.93	2.0	4.390	0.037	0.079		
S115	114.5	0.93	2.0	4.508	0.037	0.079		
S120	119.5	1.00	2.0	4.705	0.039	0.079		
S125	124.5	1.20	2.0	4.902	0.047	0.079		
S130	129.5	1.20	2.0	5.098	0.047	0.079		

# O-Ring Size / JIS B2401-S

Article No.	O-Ring Size / JIS B2401-S (All dimensions are in mm)				Nominal Size (reference only) (All dimensions are in inches)			
	ID (DIN3771)	±	C/S (mm) (DIN3771)	±	ID (DIN3771)	±	C/S (inch) (DIN3771)	±
S132	131.5	1.3	2.0	0.09	5.177	0.051	0.079	0.004
S135	134.5	1.3	2.0		5.295	0.051	0.079	
S140	139.5	1.3	2.0		5.492	0.051	0.079	
S145	144.5	1.3	2.0		5.689	0.051	0.079	
S150	149.5	1.3	2.0		5.886	0.051	0.079	



**ISO9001:2015**



# O-Ring Size / JIS B2401-V

Article No.	O-Ring Size / JIS B2401-V (All dimensions are in mm)				Nominal Size (reference only) (All dimensions are in inches)				
	ID (DIN3771)	±	C/S (mm) (DIN3771)	±	ID (DIN3771)	±	C/S (inch) (DIN3771)	±	
V 15	14.5	0.20	4.0	0.13	0.571	0.008	0.157	0.005	
V 24	23.5	0.24	4.0		0.925	0.009	0.157		
V 34	33.5	0.32	4.0		1.319	0.013	0.157		
V 36	34.5	0.33	4.0		1.358	0.013	0.157		
V 40	39.5	0.38	4.0		1.555	0.015	0.157		
V 55	54.5	0.50	4.0		2.146	0.020	0.157		
V 70	69.0	0.61	4.0		2.717	0.024	0.157		
V 85	84.0	0.73	4.0		3.307	0.029	0.157		
V 100	99.0	0.84	4.0		3.898	0.033	0.157		
V 120	119.0	1.00	4.0		4.685	0.039	0.157		
V 150	148.5	1.20	4.0		5.846	0.047	0.157		
V 175	173.0	1.38	4.0		6.811	0.054	0.157		
V 225	222.5	1.75	6.0		8.760	0.069	0.236		0.006
V 275	272.0	2.02	6.0		10.709	0.080	0.236		
V 325	321.5	2.37	6.0	12.657	0.093	0.236			
V 380	376.5	2.76	6.0	14.823	0.109	0.236			
V 430	425.5	3.07	6.0	16.752	0.121	0.236			
V 480	475.0	3.30	10.0	18.701	0.130	0.394	0.009		
V 530	524.5	3.63	10.0	20.650	0.143	0.394			
V 585	579.0	3.93	10.0	22.795	0.155	0.394			
V 640	633.5	4.34	10.0	24.941	0.171	0.394			
V 690	683.0	4.54	10.0	26.890	0.179	0.394			
V 740	732.5	4.83	10.0	28.839	0.190	0.394			
V 790	782.5	5.12	10.0	30.787	0.202	0.394			
V 950	940.5	6.06	10.0	37.028	0.239	0.394			
V 1055	1044.5	6.67	10.0	41.102	0.263	0.394			



# AS-568

Article No.	O-Ring Size / AS 568A (All dimensions are in mm)				Nominal Size (reference only) (All dimensions are in inches)			
	ID (DIN3771)	±	C/S (mm) (DIN3771)	±	ID (DIN3771)	±	C/S (inch) (DIN3771)	±
AS001	0.74	0.13	1.02	0.09	0.03	0.005	0.04	0.003
AS002	1.07	0.13	1.27		0.04	0.005	0.05	
AS003	1.42	0.13	1.52		0.06	0.005	0.06	
AS004	1.78	0.13	1.78		0.07	0.005	0.07	
AS005	2.57	0.14	1.78		0.10	0.006	0.07	
AS006	2.90	0.14	1.78		0.11	0.006	0.07	
AS007	3.68	0.14	1.78		0.14	0.006	0.07	
AS008	4.47	0.14	1.78		0.18	0.006	0.07	
AS009	5.28	0.15	1.78		0.21	0.006	0.07	
AS010	6.07	0.15	1.78		0.24	0.006	0.07	
AS011	7.65	0.16	1.78		0.30	0.006	0.07	
AS012	9.25	0.17	1.78		0.36	0.007	0.07	
AS013	10.82	0.18	1.78		0.43	0.007	0.07	
AS014	12.42	0.19	1.78		0.49	0.007	0.07	
AS015	14.00	0.19	1.78		0.55	0.007	0.07	
AS016	15.60	0.20	1.78		0.61	0.008	0.07	
AS017	17.17	0.21	1.78		0.68	0.008	0.07	
AS018	18.77	0.22	1.78		0.74	0.009	0.07	
AS019	20.35	0.22	1.78		0.80	0.009	0.07	
AS020	21.95	0.24	1.78		0.86	0.009	0.07	
AS021	23.52	0.24	1.78		0.93	0.009	0.07	
AS022	25.12	0.25	1.78		0.99	0.010	0.07	
AS023	26.70	0.28	1.78		1.05	0.011	0.07	
AS024	28.30	0.29	1.78		1.11	0.011	0.07	
AS025	29.87	0.29	1.78		1.18	0.011	0.07	
AS026	31.47	0.32	1.78		1.24	0.013	0.07	
AS027	33.05	0.32	1.78		1.30	0.013	0.07	
AS028	34.65	0.35	1.78		1.36	0.014	0.07	
AS029	37.82	0.37	1.78		1.49	0.015	0.07	
AS030	41.00	0.39	1.78		1.61	0.015	0.07	
AS031	44.17	0.43	1.78		1.74	0.017	0.07	
AS032	47.35	0.46	1.78		1.86	0.018	0.07	
AS033	50.52	0.51	1.78		1.99	0.020	0.07	
AS034	53.70	0.51	1.78		2.11	0.020	0.07	
AS035	56.87	0.54	1.78		2.24	0.021	0.07	
AS036	60.05	0.58	1.78		2.36	0.023	0.07	
AS037	63.22	0.63	1.78		2.49	0.025	0.07	
AS038	66.40	0.66	1.78		2.61	0.026	0.07	
AS039	69.57	0.66	1.78		2.74	0.026	0.07	
AS040	72.75	0.66	1.78		2.86	0.026	0.07	
AS041	75.92	0.66	1.78		2.99	0.026	0.07	
AS042	82.27	0.73	1.78		3.24	0.029	0.07	
AS043	88.62	0.77	1.78		3.49	0.030	0.07	
AS044	94.97	0.81	1.78		3.74	0.032	0.07	
AS045	101.32	0.95	1.78		3.99	0.037	0.07	
AS046	107.67	0.95	1.78		4.24	0.037	0.07	
AS047	114.02	0.95	1.78		4.49	0.037	0.07	
AS048	120.37	1.05	1.78		4.74	0.041	0.07	
AS049	126.72	1.05	1.78		4.99	0.041	0.07	
AS050	133.07	1.13	1.78		5.24	0.044	0.07	
AS051	139.42	1.13	1.78		5.49	0.044	0.07	

# AS-568

Article No.	O-Ring Size / AS 568A (All dimensions are in mm)				Nominal Size (reference only) (All dimensions are in inches)			
	ID (DIN3771)	±	C/S (mm) (DIN3771)	±	ID (DIN3771)	±	C/S (inch) (DIN3771)	±
AS052	145.77	1.20	1.78	0.09	5.74	0.047	0.07	0.003
AS053	152.12	1.27	1.78		5.99	0.050	0.07	
AS054	158.47	1.27	1.78		6.24	0.050	0.07	
AS055	164.82	1.34	1.78		6.49	0.053	0.07	
AS102	1.25	0.13	2.62		0.05	0.005	0.10	
AS103	2.06	0.13	2.62	0.08	0.005	0.10		
AS104	2.85	0.14	2.62	0.11	0.006	0.10		
AS105	3.63	0.14	2.62	0.14	0.006	0.10		
AS106	4.42	0.14	2.62	0.17	0.006	0.10		
AS107	5.23	0.15	2.62	0.21	0.006	0.10		
AS108	6.02	0.15	2.62	0.24	0.006	0.10		
AS109	7.60	0.16	2.62	0.30	0.006	0.10		
AS110	9.20	0.17	2.62	0.36	0.007	0.10		
AS111	10.77	0.18	2.62	0.42	0.007	0.10		
AS112	12.37	0.19	2.62	0.49	0.007	0.10		
AS113	13.95	0.19	2.62	0.55	0.007	0.10		
AS114	15.55	0.20	2.62	0.61	0.008	0.10		
AS115	17.12	0.21	2.62	0.67	0.008	0.10		
AS116	18.72	0.22	2.62	0.74	0.009	0.10		
AS117	20.30	0.22	2.62	0.80	0.009	0.10		
AS118	21.90	0.24	2.62	0.86	0.009	0.10		
AS119	23.47	0.24	2.62	0.92	0.009	0.10		
AS120	25.07	0.26	2.62	0.99	0.010	0.10		
AS121	26.65	0.28	2.62	1.05	0.011	0.10		
AS122	28.25	0.29	2.62	1.11	0.011	0.10		
AS123	29.82	0.29	2.62	1.17	0.011	0.10		
AS124	31.42	0.32	2.62	1.24	0.013	0.10		
AS125	33.00	0.32	2.62	1.30	0.013	0.10		
AS126	34.6	0.35	2.62	1.36	0.014	0.10		
AS127	36.17	0.35	2.62	1.42	0.014	0.10		
AS128	37.77	0.37	2.62	1.49	0.015	0.10		
AS129	39.35	0.39	2.62	1.55	0.015	0.10		
AS130	40.95	0.39	2.62	1.61	0.015	0.10		
AS131	42.52	0.43	2.62	1.67	0.017	0.10		
AS132	44.12	0.43	2.62	1.74	0.017	0.10		
AS133	45.70	0.46	2.62	1.80	0.018	0.10		
AS134	47.30	0.46	2.62	1.86	0.018	0.10		
AS135	48.90	0.46	2.62	1.93	0.018	0.10		
AS136	50.47	0.51	2.62	1.99	0.020	0.10		
AS137	52.07	0.51	2.62	2.05	0.020	0.10		
AS138	53.64	0.51	2.62	2.11	0.020	0.10		
AS139	55.25	0.51	2.62	2.18	0.020	0.10		
AS140	56.82	0.54	2.62	2.24	0.021	0.10		
AS141	58.42	0.58	2.62	2.30	0.023	0.10		
AS142	59.99	0.58	2.62	2.36	0.023	0.10		
AS143	61.60	0.63	2.62	2.43	0.025	0.10		
AS144	63.17	0.63	2.62	2.49	0.025	0.10		
AS145	64.77	0.63	2.62	2.55	0.025	0.10		
AS146	66.34	0.63	2.62	2.61	0.025	0.10		
AS147	67.95	0.63	2.62	2.68	0.025	0.10		
AS148	69.52	0.66	2.62	2.74	0.026	0.10		



# AS-568

Article No.	O-Ring Size / AS 568A (All dimensions are in mm)				Nominal Size (reference only) (All dimensions are in inches)			
	ID (DIN3771)	±	C/S (mm) (DIN3771)	±	ID (DIN3771)	±	C/S (inch) (DIN3771)	±
AS149	71.12	0.66	2.62		2.80	0.026	0.10	
AS150	72.70	0.66	2.62		2.86	0.026	0.10	
AS151	75.87	0.66	2.62		2.99	0.026	0.10	
AS152	82.22	0.69	2.62		3.24	0.027	0.10	
AS153	88.57	0.77	2.62		3.49	0.030	0.10	
AS154	94.92	0.81	2.62		3.74	0.032	0.10	
AS155	101.27	0.95	2.62		3.99	0.037	0.10	
AS156	107.62	0.95	2.62		4.24	0.037	0.10	
AS157	113.97	0.95	2.62		4.49	0.037	0.10	
AS158	120.32	1.05	2.62		4.74	0.041	0.10	
AS159	126.67	1.05	2.62		4.99	0.041	0.10	
AS160	133.02	1.13	2.62		5.24	0.044	0.10	
AS161	139.37	1.13	2.62		5.49	0.044	0.10	
AS162	145.72	1.20	2.62		5.74	0.047	0.10	
AS163	152.07	1.27	2.62		5.99	0.050	0.10	
AS164	158.42	1.27	2.62		6.24	0.050	0.10	
AS165	164.77	1.34	2.62		6.49	0.053	0.10	
AS166	171.12	1.41	2.62		6.74	0.056	0.10	
AS167	177.47	1.41	2.62		6.99	0.056	0.10	
AS168	183.82	1.48	2.62		7.24	0.058	0.10	
AS169	190.17	1.55	2.62		7.49	0.061	0.10	
AS170	196.52	1.55	2.62		7.74	0.061	0.10	
AS171	202.87	1.67	2.62		7.99	0.066	0.10	
AS172	209.22	1.67	2.62		8.24	0.066	0.10	
AS173	215.57	1.67	2.62		8.49	0.066	0.10	
AS174	221.92	1.75	2.62		8.74	0.069	0.10	
AS175	228.27	1.75	2.62		8.99	0.069	0.10	
AS176	234.62	1.88	2.62		9.24	0.074	0.10	
AS177	240.97	1.88	2.62		9.49	0.074	0.10	
AS178	247.32	1.88	2.62		9.74	0.074	0.10	



# AS-568

Article No.	O-Ring Size / AS 568A (All dimensions are in mm)				Nominal Size (reference only) (All dimensions are in inches)			
	ID (DIN3771)	±	C/S (mm) (DIN3771)	±	ID (DIN3771)	±	C/S (inch) (DIN3771)	±
AS201	4.34	0.14	3.53	0.09	0.17	0.006	0.14	0.004
AS202	5.94	0.15	3.53		0.23	0.006	0.14	
AS203	7.52	0.16	3.53		0.30	0.006	0.14	
AS204	9.12	0.17	3.53		0.36	0.007	0.14	
AS205	10.69	0.18	3.53		0.42	0.007	0.14	
AS206	12.29	0.19	3.53		0.48	0.007	0.14	
AS207	13.87	0.19	3.53		0.55	0.007	0.14	
AS208	15.47	0.20	3.53		0.61	0.008	0.14	
AS209	17.04	0.21	3.53		0.67	0.008	0.14	
AS210	18.64	0.22	3.53		0.73	0.009	0.14	
AS211	20.22	0.22	3.53		0.80	0.009	0.14	
AS212	21.82	0.24	3.53		0.86	0.009	0.14	
AS213	23.39	0.24	3.53		0.92	0.009	0.14	
AS214	24.99	0.26	3.53		0.98	0.010	0.14	
AS215	26.57	0.28	3.53		1.05	0.011	0.14	
AS216	28.17	0.29	3.53		1.11	0.011	0.14	
AS217	29.74	0.29	3.53		1.17	0.011	0.14	
AS218	31.34	0.32	3.53		1.23	0.013	0.14	
AS219	32.92	0.32	3.53		1.30	0.013	0.14	
AS220	34.52	0.35	3.53		1.36	0.014	0.14	
AS221	36.09	0.35	3.53		1.42	0.014	0.14	
AS222	37.69	0.37	3.53		1.48	0.015	0.14	
AS223	40.87	0.39	3.53		1.61	0.015	0.14	
AS224	44.09	0.43	3.53		1.74	0.017	0.14	
AS225	47.22	0.46	3.53		1.86	0.018	0.14	
AS226	50.39	0.51	3.53	1.98	0.020	0.14		
AS227	53.57	0.51	3.53	2.11	0.020	0.14		
AS228	56.75	0.54	3.53	2.23	0.021	0.14		
AS229	59.92	0.58	3.53	2.36	0.023	0.14		
AS230	63.09	0.63	3.53	2.48	0.025	0.14		
AS231	66.27	0.63	3.53	2.61	0.025	0.14		
AS232	69.44	0.66	3.53	2.73	0.026	0.14		
AS233	72.62	0.66	3.53	2.86	0.026	0.14		
AS234	75.80	0.66	3.53	2.98	0.026	0.14		
AS235	78.97	0.69	3.53	3.11	0.027	0.14		
AS236	82.14	0.73	3.53	3.23	0.029	0.14		
AS237	85.32	0.77	3.53	3.36	0.030	0.14		
AS238	88.49	0.77	3.53	3.48	0.030	0.14		
AS239	91.67	0.81	3.53	3.61	0.032	0.14		
AS240	94.84	0.81	3.53	3.73	0.032	0.14		
AS241	98.02	0.84	3.53	3.86	0.033	0.14		
AS242	101.20	0.95	3.53	3.98	0.037	0.14		
AS243	104.37	0.95	3.53	4.11	0.037	0.14		
AS244	107.54	0.95	3.53	4.23	0.037	0.14		
AS245	110.72	0.95	3.53	4.36	0.037	0.14		
AS246	113.89	0.95	3.53	4.48	0.037	0.14		
AS247	117.07	1.05	3.53	4.61	0.041	0.14		
AS248	120.24	1.05	3.53	4.73	0.041	0.14		
AS249	123.42	1.05	3.53	4.86	0.041	0.14		
AS250	126.60	1.05	3.53	4.98	0.041	0.14		
AS251	129.77	1.13	3.53	5.11	0.044	0.14		

# AS-568

Article No.	O-Ring Size / AS 568A (All dimensions are in mm)				Nominal Size (reference only) (All dimensions are in inches)			
	ID (DIN3771)	±	C/S (mm) (DIN3771)	±	ID (DIN3771)	±	C/S (inch) (DIN3771)	±
AS252	132.95	1.13	3.53	0.09	5.23	0.044	0.14	0.004
AS253	136.12	1.13	3.53		5.36	0.044	0.14	
AS254	139.30	1.13	3.53		5.48	0.044	0.14	
AS255	142.47	1.20	3.53		5.61	0.047	0.14	
AS256	145.64	1.20	3.53		5.73	0.047	0.14	
AS257	148.82	1.20	3.53		5.86	0.047	0.14	
AS258	152.00	1.27	3.53		5.98	0.050	0.14	
AS259	158.34	1.27	3.53		6.23	0.050	0.14	
AS260	164.70	1.34	3.53		6.48	0.053	0.14	
AS261	171.04	1.14	3.53		6.73	0.045	0.14	
AS262	177.40	1.14	3.53		6.98	0.045	0.14	
AS263	183.74	1.48	3.53		7.23	0.058	0.14	
AS264	190.10	1.55	3.53		7.48	0.061	0.14	
AS265	196.44	1.55	3.53		7.73	0.061	0.14	
AS266	202.80	1.67	3.53		7.98	0.066	0.14	
AS267	209.14	1.67	3.53		8.23	0.066	0.14	
AS268	215.50	1.67	3.53		8.48	0.066	0.14	
AS269	221.84	1.75	3.53		8.73	0.069	0.14	
AS270	228.20	1.75	3.53		8.98	0.069	0.14	
AS271	234.55	1.88	3.53		9.23	0.074	0.14	
AS272	240.90	1.88	3.53		9.48	0.074	0.14	
AS273	247.25	1.88	3.53		9.73	0.074	0.14	
AS274	253.60	1.98	3.53		9.98	0.078	0.14	
AS275	266.29	2.08	3.53		10.48	0.082	0.14	
AS276	278.99	2.08	3.53		10.98	0.082	0.14	
AS277	291.69	2.28	3.53		11.48	0.090	0.14	
AS278	304.39	2.28	3.53		11.98	0.090	0.14	
AS279	329.79	2.46	3.53		12.98	0.097	0.14	
AS280	355.19	2.65	3.53	13.98	0.104	0.14		
AS281	380.59	2.78	3.53	14.98	0.109	0.14		
AS282	405.26	2.99	3.53	15.96	0.118	0.14		
AS283	430.66	3.18	3.53	16.96	0.125	0.14		
AS284	456.06	3.32	3.53	17.96	0.131	0.14		



# AS-568

Article No.	O-Ring Size / AS 568A (All dimensions are in mm)				Nominal Size (reference only) (All dimensions are in inches)			
	ID (DIN3771)	±	C/S (mm) (DIN3771)	±	ID (DIN3771)	±	C/S (inch) (DIN3771)	±
AS309	10.47	0.18	5.33	0.13	0.41	0.007	0.21	0.005
AS310	12.07	0.19	5.33		0.48	0.007	0.21	
AS311	13.64	0.20	5.33		0.54	0.008	0.21	
AS312	15.24	0.20	5.33		0.60	0.008	0.21	
AS313	16.82	0.21	5.33		0.66	0.008	0.21	
AS314	18.42	0.22	5.33		0.73	0.009	0.21	
AS315	19.99	0.22	5.33		0.79	0.009	0.21	
AS316	21.59	0.24	5.33		0.85	0.009	0.21	
AS317	23.17	0.26	5.33		0.91	0.010	0.21	
AS318	24.77	0.26	5.33		0.98	0.010	0.21	
AS319	26.34	0.26	5.33		1.04	0.010	0.21	
AS320	27.94	0.28	5.33		1.10	0.011	0.21	
AS321	29.52	0.29	5.33		1.16	0.011	0.21	
AS322	31.12	0.32	5.33		1.23	0.013	0.21	
AS323	32.69	0.32	5.33		1.29	0.013	0.21	
AS324	34.29	0.35	5.33		1.35	0.014	0.21	
AS325	37.47	0.37	5.33		1.48	0.015	0.21	
AS326	40.64	0.39	5.33		1.60	0.015	0.21	
AS327	43.82	0.43	5.33		1.73	0.017	0.21	
AS328	46.99	0.46	5.33		1.85	0.018	0.21	
AS329	50.17	0.51	5.33		1.98	0.020	0.21	
AS330	53.34	0.51	5.33		2.10	0.020	0.21	
AS331	56.52	0.54	5.33		2.23	0.021	0.21	
AS332	59.69	0.58	5.33		2.35	0.023	0.21	
AS333	62.87	0.58	5.33		2.48	0.023	0.21	
AS334	66.64	0.63	5.33		2.62	0.025	0.21	
AS335	69.22	0.66	5.33		2.73	0.026	0.21	
AS336	72.39	0.66	5.33		2.85	0.026	0.21	
AS337	75.57	0.55	5.33		2.98	0.022	0.21	
AS338	78.74	0.69	5.33		3.10	0.027	0.21	
AS339	81.92	0.73	5.33		3.23	0.029	0.21	
AS340	85.09	0.77	5.33		3.35	0.030	0.21	
AS341	88.27	0.77	5.33		3.48	0.030	0.21	
AS342	91.44	0.81	5.33		3.60	0.032	0.21	
AS343	94.62	0.81	5.33		3.73	0.032	0.21	
AS344	97.79	0.84	5.33		3.85	0.033	0.21	
AS345	100.97	0.95	5.33		3.98	0.037	0.21	
AS346	104.14	0.95	5.33		4.10	0.037	0.21	
AS347	107.32	0.95	5.33		4.23	0.037	0.21	
AS348	110.49	0.95	5.33	4.35	0.037	0.21		
AS349	113.67	0.95	5.33	4.48	0.037	0.21		
AS350	116.84	1.05	5.33	4.60	0.041	0.21		
AS351	120.02	1.05	5.33	4.73	0.041	0.21		
AS352	123.19	1.05	5.33	4.85	0.041	0.21		
AS353	126.37	1.05	5.33	4.98	0.041	0.21		
AS354	129.54	1.13	5.33	5.10	0.044	0.21		
AS355	132.72	1.13	5.33	5.23	0.044	0.21		
AS356	135.89	1.13	5.33	5.35	0.044	0.21		
AS357	139.07	1.13	5.33	5.48	0.044	0.21		
AS358	142.24	1.20	5.33	5.60	0.047	0.21		
AS359	145.42	1.20	5.33	5.73	0.047	0.21		

# AS-568

Article No.	O-Ring Size / AS 568A (All dimensions are in mm)				Nominal Size (reference only) (All dimensions are in inches)			
	ID (DIN3771)	±	C/S (mm) (DIN3771)	±	ID (DIN3771)	±	C/S (inch) (DIN3771)	±
AS360	148.59	1.20	5.33	0.13	5.85	0.047	0.21	0.005
AS361	151.77	1.27	5.33		5.98	0.050	0.21	
AS362	158.12	1.27	5.33		6.23	0.050	0.21	
AS363	164.47	1.34	5.33		6.48	0.053	0.21	
AS364	170.82	1.41	5.33		6.73	0.056	0.21	
AS365	177.17	1.41	5.33		6.98	0.056	0.21	
AS366	183.52	1.48	5.33		7.23	0.058	0.21	
AS367	189.87	1.48	5.33		7.48	0.058	0.21	
AS368	196.22	1.55	5.33		7.73	0.061	0.21	
AS369	202.57	1.67	5.33		7.98	0.066	0.21	
AS370	208.92	1.67	5.33		8.23	0.066	0.21	
AS371	215.27	1.67	5.33		8.48	0.066	0.21	
AS372	221.62	1.75	5.33		8.73	0.069	0.21	
AS373	227.97	1.75	5.33		8.98	0.069	0.21	
AS374	234.32	1.88	5.33		9.23	0.074	0.21	
AS375	240.67	1.88	5.33		9.48	0.074	0.21	
AS376	247.02	1.88	5.33		9.73	0.074	0.21	
AS377	253.37	1.98	5.33		9.98	0.078	0.21	
AS378	266.07	2.08	5.33		10.48	0.082	0.21	
AS379	278.77	2.08	5.33		10.98	0.082	0.21	
AS380	291.47	2.14	5.33		11.48	0.084	0.21	
AS381	304.17	2.28	5.33		11.98	0.090	0.21	
AS382	329.57	2.46	5.33		12.98	0.097	0.21	
AS383	354.97	2.65	5.33		13.98	0.104	0.21	
AS384	380.37	2.78	5.33		14.98	0.109	0.21	
AS385	405.26	2.99	5.33		15.96	0.118	0.21	
AS386	430.66	3.18	5.33		16.96	0.125	0.21	
AS387	456.06	3.32	5.33		17.96	0.131	0.21	
AS388	481.38	3.45	5.33		18.95	0.136	0.21	
AS389	506.78	3.63	5.33		19.95	0.143	0.21	
AS390	532.18	3.63	5.33	20.95	0.143	0.21		
AS391	557.58	3.82	5.33	21.95	0.150	0.21		
AS392	582.68	3.90	5.33	22.94	0.154	0.21		
AS393	608.08	4.10	5.33	23.94	0.161	0.21		
AS394	633.48	4.20	5.33	24.94	0.165	0.21		
AS395	658.88	4.30	5.33	25.94	0.169	0.21		



# AS-568

Article No.	O-Ring Size / AS 568A (All dimensions are in mm)				Nominal Size (reference only) (All dimensions are in inches)			
	ID (DIN3771)	±	C/S (mm) (DIN3771)	±	ID (DIN3771)	±	C/S (inch) (DIN3771)	±
AS425	113.67	0.95	6.99	0.15	4.48	0.037	0.28	0.006
AS426	116.84	1.05	6.99		4.60	0.041	0.28	
AS427	120.02	1.05	6.99		4.73	0.041	0.28	
AS428	123.19	1.05	6.99		4.85	0.041	0.28	
AS429	126.37	1.05	6.99		4.98	0.041	0.28	
AS430	129.54	1.13	6.99		5.10	0.044	0.28	
AS431	132.72	1.13	6.99		5.23	0.044	0.28	
AS432	135.89	1.13	6.99		5.35	0.044	0.28	
AS433	139.07	1.13	6.99		5.48	0.044	0.28	
AS434	142.24	1.20	6.99		5.60	0.047	0.28	
AS435	145.42	1.20	6.99		5.73	0.047	0.28	
AS436	148.59	1.20	6.99		5.85	0.047	0.28	
AS437	151.77	1.27	6.99		5.98	0.050	0.28	
AS438	158.12	1.27	6.99		6.23	0.050	0.28	
AS439	164.47	1.34	6.99		6.48	0.053	0.28	
AS440	170.82	1.41	6.99		6.73	0.056	0.28	
AS441	177.17	1.41	6.99		6.98	0.056	0.28	
AS442	183.52	1.48	6.99		7.23	0.058	0.28	
AS443	189.87	1.48	6.99		7.48	0.058	0.28	
AS444	196.22	1.55	6.99		7.73	0.061	0.28	
AS445	202.57	1.67	6.99		7.98	0.066	0.28	
AS446	215.27	1.67	6.99		8.48	0.066	0.28	
AS447	227.97	1.75	6.99		8.98	0.069	0.28	
AS448	240.67	1.88	6.99		9.48	0.074	0.28	
AS449	253.37	1.98	6.99		9.98	0.078	0.28	
AS450	266.07	2.08	6.99		10.48	0.082	0.28	
AS451	278.77	2.08	6.99		10.98	0.082	0.28	
AS452	291.47	2.14	6.99		11.48	0.084	0.28	
AS453	304.17	2.28	6.99		11.98	0.090	0.28	
AS454	316.87	2.46	6.99		12.48	0.097	0.28	
AS455	329.57	2.46	6.99		12.98	0.097	0.28	
AS456	342.27	2.65	6.99		13.48	0.104	0.28	
AS457	354.97	2.65	6.99		13.98	0.104	0.28	
AS458	367.67	2.65	6.99		14.48	0.104	0.28	
AS459	380.37	2.78	6.99		14.98	0.109	0.28	
AS460	393.07	2.84	6.99		15.48	0.112	0.28	
AS461	405.26	2.99	6.99		15.96	0.118	0.28	
AS462	417.96	2.99	6.99		16.46	0.118	0.28	
AS463	430.66	3.18	6.99		16.96	0.125	0.28	
AS464	443.36	3.18	6.99		17.46	0.125	0.28	
AS465	456.06	3.32	6.99		17.96	0.131	0.28	
AS466	468.76	3.32	6.99		18.46	0.131	0.28	
AS467	481.46	3.32	6.99		18.96	0.131	0.28	
AS468	494.16	3.45	6.99		19.46	0.136	0.28	
AS469	506.86	3.36	6.99		19.96	0.132	0.28	
AS470	532.26	3.36	6.99	20.96	0.132	0.28		
AS471	557.66	3.82	6.99	21.96	0.150	0.28		
AS472	582.68	3.93	6.99	22.94	0.155	0.28		
AS473	608.08	4.10	6.99	23.94	0.161	0.28		
AS474	633.48	4.20	6.99	24.94	0.165	0.28		
AS475	658.88	4.30	6.99	25.94	0.169	0.28		

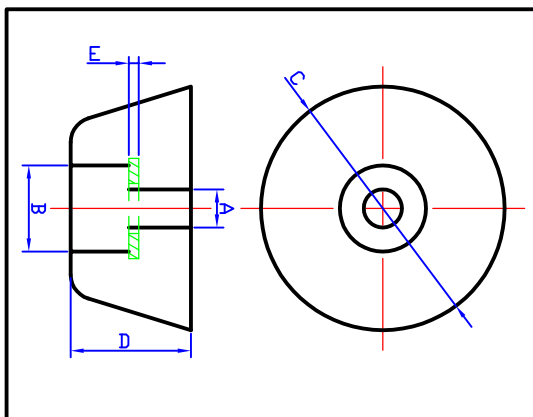
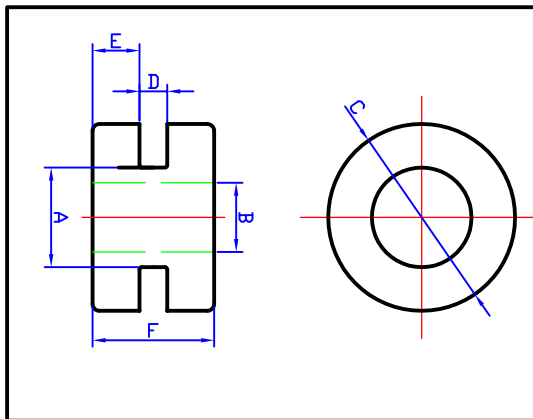
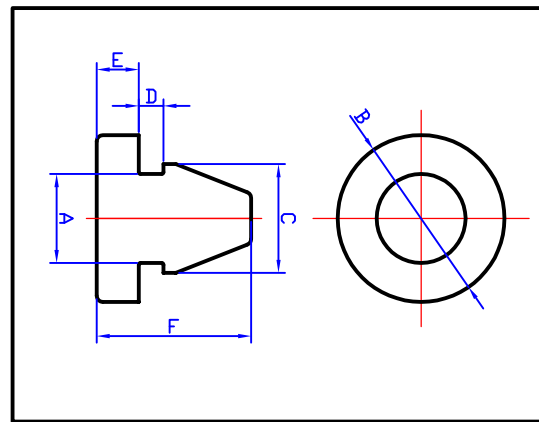
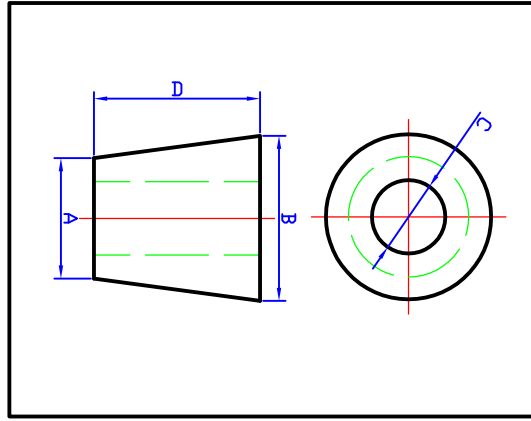
# AS-568

Article No.	O-Ring Size / AS 568A (All dimensions are in mm)				Nominal Size (reference only) (All dimensions are in inches)			
	ID (DIN3771)	±	C/S (mm) (DIN3771)	±	ID (DIN3771)	±	C/S (inch) (DIN3771)	±
AS901	4.70	0.13	1.42	0.09	0.19	0.005	0.06	0.004
AS902	6.07	0.13	1.63		0.24	0.005	0.06	
AS903	7.65	0.13	1.63		0.30	0.005	0.06	
AS904	8.92	0.13	1.83		0.35	0.005	0.07	
AS905	10.52	0.13	1.83		0.41	0.005	0.07	
AS906	11.89	0.13	1.98		0.47	0.005	0.08	
AS907	13.46	0.18	2.08		0.53	0.007	0.08	
AS908	16.36	0.23	2.21		0.64	0.009	0.09	
AS909	17.93	0.23	2.46		0.71	0.009	0.10	
AS910	19.18	0.23	2.46		0.76	0.009	0.10	
AS911	21.92	0.23	2.95		0.86	0.009	0.12	
AS912	23.47	0.23	2.95		0.92	0.009	0.12	
AS913	25.04	0.25	2.95		0.99	0.010	0.12	
AS914	26.59	0.25	2.95		1.05	0.010	0.12	
AS916	29.74	0.25	2.95		1.17	0.010	0.12	
AS918	34.42	0.30	2.95		1.36	0.012	0.12	
AS920	37.47	0.36	3.00		1.48	0.014	0.12	
AS924	43.69	0.36	3.00		1.72	0.014	0.12	
AS928	53.09	0.46	3.00		2.09	0.018	0.12	
AS932	59.36	0.46	3.00		2.34	0.018	0.12	



# Rubber Grommet (Rubber Foot Mat)

Customized





# Chien Chie Rubber Technology Co., Ltd.

O-Ringe, Dichtungsringe aus Gummi, Buchsen, Muffen, Vakuum Sauggreifer, Verpackung, Gummidichtungen und Sonderanfertigungen von Gummidichtungen, etc.

Das Unternehmen Chien Chie Rubber Technology Co., Ltd. wurde 1984 gegründet und gilt als traditionsreiches Unternehmen mit Spezialisierung auf Design, Entwicklung und Herstellung von qualitativ hochwertigen Gummiprodukten für industrielle Anwendungen, darunter Autoteile, Badezimmerausstattungen, Gärtnereteile, Sportausrüstung, elektrischen Komponenten, Sonderanfertigungen und anderes.

Mit seinen hervorragenden Kapazitäten im Bereich Design und Entwicklung ist das Unternehmen in der Lage, ein breites Spektrum von Produktarten anzubieten, vor allem O-Ringe, Welldichtungen, Vakuum Sauggreifer, Dichtungen, Muffen, Buchsen, geformte Schläuche, Beilagscheiben aus Gummi, Verpackungs- und Gummidichtungen



Das Unternehmen besteht auf die Erfüllung von Standards der American Society for Testing and Materials (ASTM) und verwendet nur ausgewählte Materialien zur Herstellung seiner Qualitätsprodukte, darunter NBR, HNBR, EPDM, CR, Neopren, SBR, FPM, NR, Silikon, Viton und IIR. Neben den Standardprodukten übernimmt das Unternehmen auch Aufträge auf Basis von OEM/ODM (original equipment/design manufacturer) sowie für Sonderanfertigungen nach Kundenwunsch für verschiedene Anwendungsbereiche wie etwa Öl, Säure, Lauge, Hoch- und Niedrigtemperatur, Isolierung, Wasser, Feuer, Staub sowie Rutschfestigkeit.

Der Anbieter Chien Chie hat nicht nur neueste Spritzgussmaschinen und Vakuum Pressformmaschinen für Gummiprodukte im Angebot, sondern bietet auch komplette 2D/3D Lösungen an für das Design von Formen gemäß Kundenspezifikationen.

Chien Chie hat dabei mehrere wichtige Ziele im Auge, darunter Forschung und Entwicklung an seinen Produkten und Produktionstechniken, rasche Lieferung, Verbesserung der Produktqualität, umfassendes Kundenservice, um langfristige Zusammenarbeit sicherzustellen.



**RUBBER**

**Chien Chie Rubber Technology Co., Ltd.**

No. 27, Ln.85, Sec. 1, Jiatou Rd., Longjing Dist.,

Taichung City, Taiwan 43443

Tel: 886-4-2636-6059 Fax: 886-4-2636-6038

E-Mail: [tccr@chien-chie.com.tw](mailto:tccr@chien-chie.com.tw)

Website: [www.chien-chie.com](http://www.chien-chie.com)

